

# SIERA

## Quick Set Up Guide



# Precautions



**Our product is an advanced and safe LED fixture. However, for proper operation and for your safety, please read and follow the below precautions:**

When unpacking the luminaire make sure to have a sturdy surface to work on. Damage to the unit can occur if dropped.

Do not immerse the fixture in water or clean the fixture with a high pressure water jet or strong detergents.

Never operate the fixture with the lens directly on a flat surface (e.g. table) as this may damage the lens. A minimum distance of 0.2m/8in should be kept to other objects.

The product is for indoor use only.

Always allow a free flow of air around the fixture.

This fixture may only be serviced by a trained technician. In the case of a suspected malfunction contact your distributor or Heliospectra directly.

The light source contained in this luminaire shall only be replaced by the manufacturer or his service agent or a similar qualified person.

The luminaire should be positioned so that prolonged staring into the luminaire at a distance closer than 1 meter/ 40 inches is avoided.

Do not stare into the light source. LED grow lights may contain potentially harmful light radiation. Please use UV blocking eyewear when working in and around the illuminated area.

Only connect the fixture to properly grounded mains that complies with the voltage rating on the fixture (see power label).

Only operate the fixture with an undamaged power cord, power plug and electrical outlet.

Never unplug the fixture by pulling on the power cord.

For proper performance of the unit the ambient air temperature shall be no higher than 40° C.



**Le produit est un appareil moderne et sûr. Mais pour une bonne utilisation et pour votre sécurité, veuillez lire les informations ci-dessous :**

Quand vous déballez le luminaire assurez-vous d'avoir une surface solide sur laquelle travailler. L'appareil peut être endommagé si on le fait tomber.

N'immergez pas l'appareil dans l'eau et n'essayez pas de le nettoyer avec un jet d'eau à haute pression.

Ne pas mettre en marche l'appareil avec la lentille posée à plat sur quelque surface (par exemple : une table), cela pourrait l'endommager.

Le produit ne s'utilise qu'en intérieur.

Assurez-vous qu'il y ait un minimum d'air autour de l'appareil.

Cet appareil ne peut être entretenu que par un technicien expérimenté. Si vous avez un soupçon sur le mauvais fonctionnement de celui-ci, contactez votre distributeur ou Heliospectra directement.

La source de lumière contenue dans ce luminaire ne doit être remplacée que par le fabricant ou ses agents de services ou une personne similaire qualifiée pour le faire.

Le luminaire doit être positionné de telle sorte que le fixer longuement à une distance d'1 mètre/ 40 pouces soit évité.

Ne pas fixer la source de lumière. Les éclairages LED pourraient potentiellement contenir des radiations lumineuses nocives. Portez des lunettes anti-rayons UV quand vous travaillez sous ou à proximité de l'endroit éclairé.

Ne connectez l'appareil que sur une prise reliée à la terre et dont le voltage correspond à celui de l'appareil.

L'appareil doit être mis en marche avec rien d'autre qu'une prise, un cordon électrique ou une prise secteur non endommagés.

Ne jamais déconnecter l'appareil en tirant sur le cordon électrique.

Pour une utilisation optimale de l'appareil, la température ambiante ne doit pas dépasser 40°C.



If you have any questions or queries regarding your light please visit our support portal at [support.heliospectra.com](https://support.heliospectra.com).

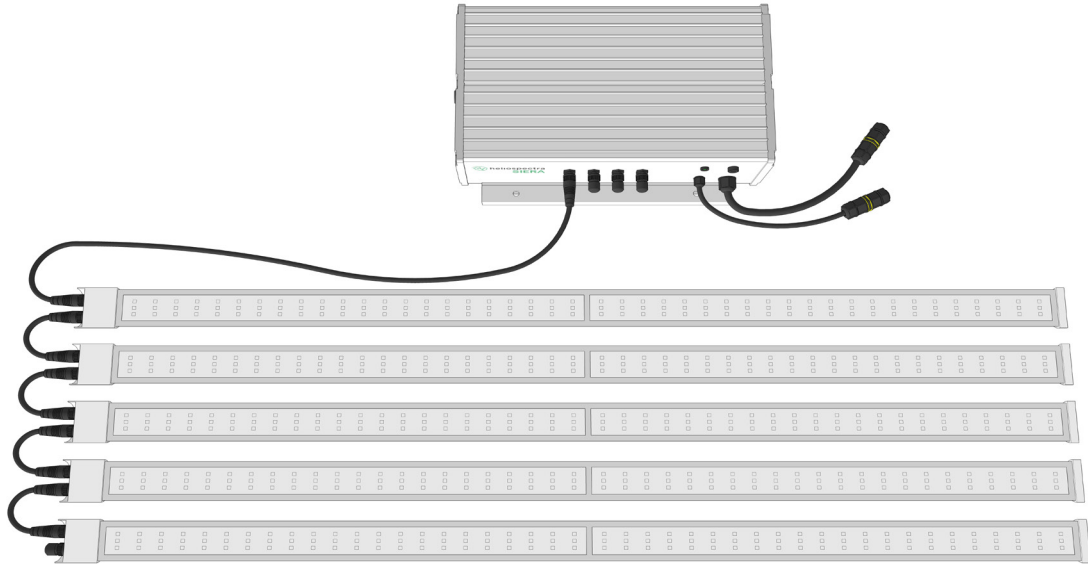
Alternatively contact us at [support@heliospectra.com](mailto:support@heliospectra.com).



## Electrical Installation

Your SIERA light bars need to be connected to the SIERA power supply unit with the connector cables provided. The SIERA power supply unit has 4 connection channels. The SIERA light bar should be connected in series, **no more than five can be connected to each channel and no more than twelve, in total, connected to the SIERA power supply unit.**

**Do not attach the light bars when the power supply is plugged in.**

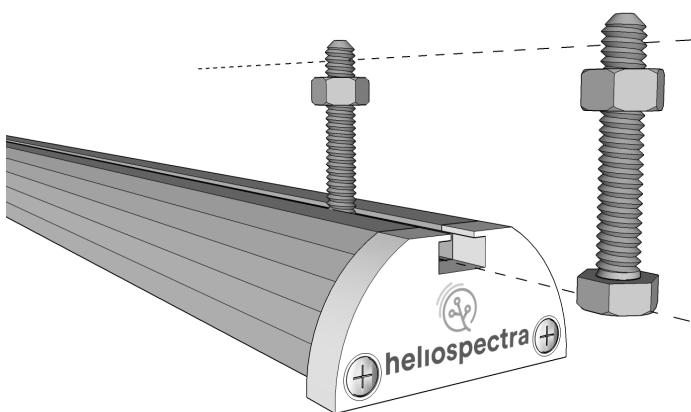


The SIERA power supply unit can be dimmed. To use the dimming functionality you will need a 0-10v dimming signal. This signal could be supplied by an external control system or an analogue dimmer. We would recommend that you get a licenced electrician to install the dimmer solution and to fit the required plug to the power cable.



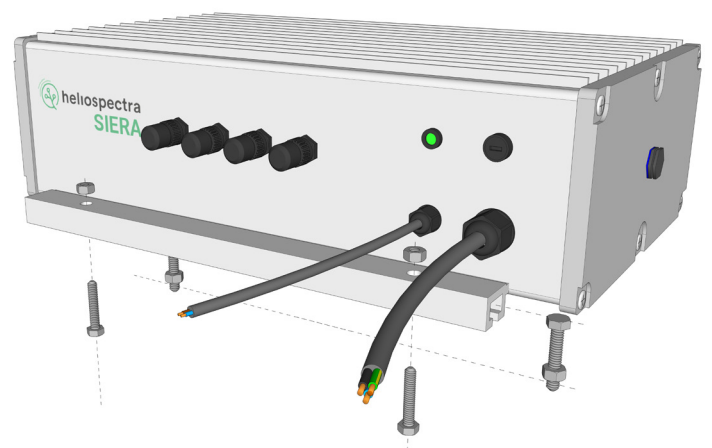
SIERA power supply units must be installed with adequate surge protection according to the IEEE 1100-2005 recommended practice or, in Europe, the IEC 62305 standard, or local equivalent. Ensuring you have the correct level of protection for your facility can be complex so it is strongly recommended that you consult a certified electrical engineer.

## Mounting



The SIERA light bars have a T-slot which can be used to accommodate your mounting solution.

The support structure needs to be sturdy enough to support the weight of the SIERA light bar.



The SIERA power supply unit has two T-slots on each side.

The SIERA power supply unit has a vent at each end. These vents must not be blocked, air should be able to flow freely to them at all times.

	LB460PR - Propagation spectrum	LB420IN - Indoor spectrum	LB420IR - IZAR spectrum
Typical power consumption	0-46 W	0-42 W	0-43 W
Heat Value (BTU/h)	Up to 157 BTUs/hr	Up to 143 BTUs/hr	Up to 147 BTUs/hr
Lifetime	50 000 hrs (rated life to 90% of initial photon flux)		46 000 hrs (rated life to 90% of initial photon flux)
Weight	1 kg (2.2lbs)		
Size	1165 x 50 x 25 mm (46in x 2in x 1in)		
Temperature	Operating: -10 to 40°C (14 to 104 F) Storage: -20 to 70°C (-4 to 158 F)		
Humidity	Operating: 90% (max) relative humidity, non condensing   Storage: 95% (max) relative humidity, non condensing		
Warranty	3 years		
Certification and compliance	CE, RoHS, cETLus		
Water resistance	IP67 rated		
Controllable	No (Dimmable on power supply)		
Cooling	Passive - Convection cooled		
Luminaire	Class I Equipment		
VDC Cable length options (to power supply)	<ul style="list-style-type: none"> <li>• 3m (9ft 10in)</li> <li>• 1.5m (4ft 11in)</li> <li>• 0.5m (1ft 7in)</li> </ul>		
Housing material	Durable ABS plastic and Anodized Aluminium Diffuser : Highly transmissive acrylic glass		
	<b>LBPSU12 - Power Supply Unit</b>		
Max power consumption	600W		
Operating Voltage	100 - 240 VAC		
Frequency	50/60 Hz		
Current	5A@120 VAC   2.5A@ 240 VAC		
Weight	8kg (17.64 lbs)		
Size	400 x 256 x 100 mm (15.7 x 10.1 x 3.9 in)		
Warranty	3 years		
Heat value (BTU/h)	Up to 2047 BTUs/hr		
Certification and compliance	CE, cETLus, RoHS		
Water resistance	IP66		
Cooling	Passive - Convection cooled		
Cord Attachment	Type Y Attachment		
Housing Material	Anodized Aluminium		

## More Information

For full product manuals visit [support.heliospectra.com](https://support.heliospectra.com) or scan the QR code to go straight there.



Website  
[www.heliospectra.com](https://www.heliospectra.com)

Telephone  
+46 31 40 67 10 (SWE) +1 (888) 942 GROW (US)  
+1 (437) 922 6677(CAN)

Heliospectra AB  
Fiskhamnsgatan 2  
SE-414 58 Göteborg  
Sweden

Email  
[support@heliospectra.com](mailto:support@heliospectra.com)  
[sales@heliospectra.com](mailto:sales@heliospectra.com)