

# ADELPHI

## Wireless Connector



### Wireless, Instant Dimming and Control for your Greenhouse

Our **NEW** Wireless Connector allows for true wireless dimming and control in your greenhouse facility. Integration with helioCORE enables you to set DLI targets and zone light strategies over time, lowering your energy cost, increasing crop quality, and maximizing ROI.

#### helioCORE™

Integration with helioCORE and sensors allow for automated light strategies and real-time light adjustments.

#### No Wiring

No extra wiring needed during installation, saving your money and time.

#### Fall-Back Schedule

To protect against network failures, a fall-back schedule guarantees safe and secure crop production according to your settings and standards.

# ADELPHI

## Wireless Connector

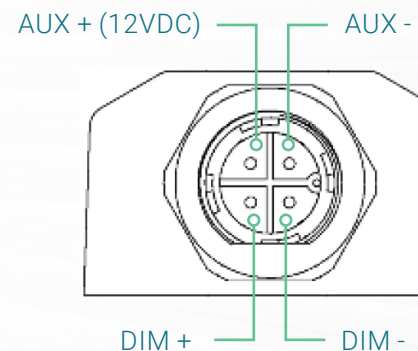
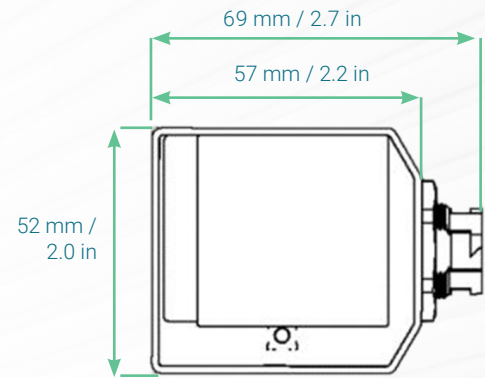


### PHYSICAL

ADWF01, ADLR01	
<b>Weight</b>	Weight 0.11 kg (0.24 lbs)
<b>Measurements</b>	69x52x31 mm (2.7x2.0x1.2 in) L x W x H
<b>Temperature</b>	Operating: -10-45 °C 14-113 °F Storage: -20-70 °C -4-158 °F
<b>Humidity</b>	5 - 95 % RH
<b>Mounting</b>	Mounting screw (1pcs)
<b>IP rating</b>	IP66, IP67
<b>Housing material</b>	PA66, Epoxy
<b>Compliance</b>	CE, UKCA
<b>Warranty</b>	2 years
<b>PSU compatibility</b>	MIPSU03, MIPSU05-08

### GENERAL

	ADWF01	ADLR01
<b>Input Power</b>	2.4 W	2W
<b>Input Voltage</b>	12VDC	12VDC
<b>Output</b>	0-10V PWM, 2000Hz	0 - 10V PWM, 2000Hz
<b>Control</b>	WiFi (2.4 GHz)	Radio (863-870 Hz)
<b>Connector</b>	M19 Push Lock 4 Pin Male	M19 Push Lock 4 Pin Male



### INDICATORS



Factory Reset. Press and hold the button for 10 seconds to factory reset the device.



Network signal. Solid blue light when connected, blinking when idle/searching for network.



Power indication. Solid green light when in operation, blinking during bootup or firm-ware update.

### MOUNTING



Package includes mounting screw (1pcs) to attach the Adelphi on to the PSU backplate..

#### CONTACT HELIOSPECTRA:

SE: +46 31 40 67 10 NA: +1 888 942 4769  
sales@heliospectra.com [www.heliospectra.com](http://www.heliospectra.com)

UK Authorised Representative:  
Comply Express Ltd, Unit C2, Coalport House, Stafford Park 1, Telford TF3 3BD, United Kingdom

©Heliospectra AB,  
All rights reserved  
Ver. 1.0



[ FOR HORTICULTURE USE ONLY ]